

Vestax

IF-500 KIT

PREMIUM CHROME INPUT FADER KIT

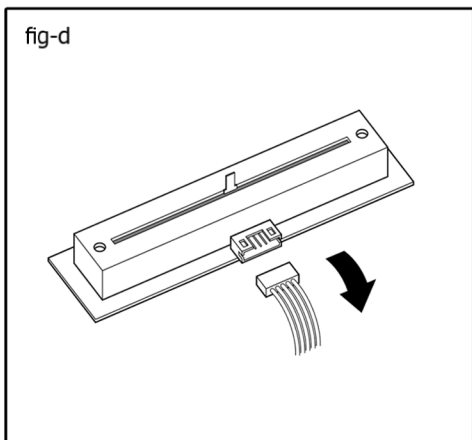
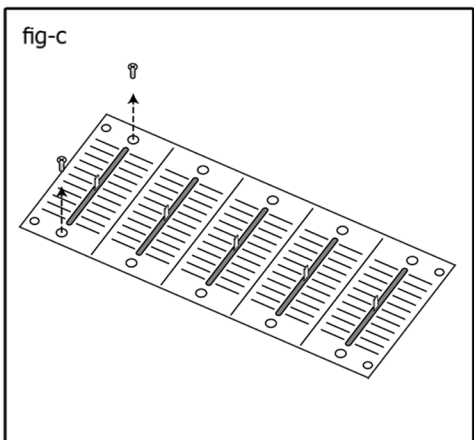
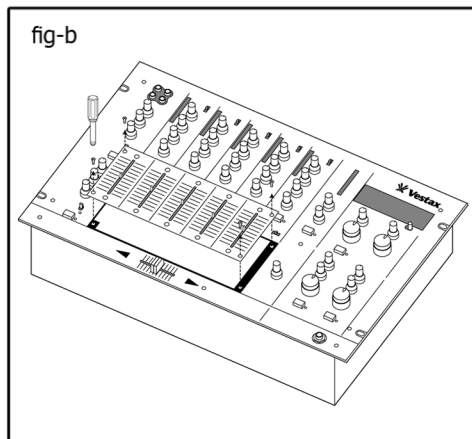
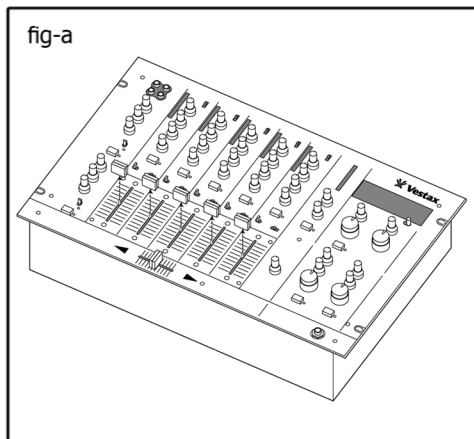
Head Office
1-18-6 Wakabayashi, Setagaya-ku, Tokyo 154-0023 Japan
Web: <http://www.vestax.com/>

Vestax Global Support
csg@vestax.jp

Vestax Europe Support
info@vestax.net

INSTALLATION MANUAL

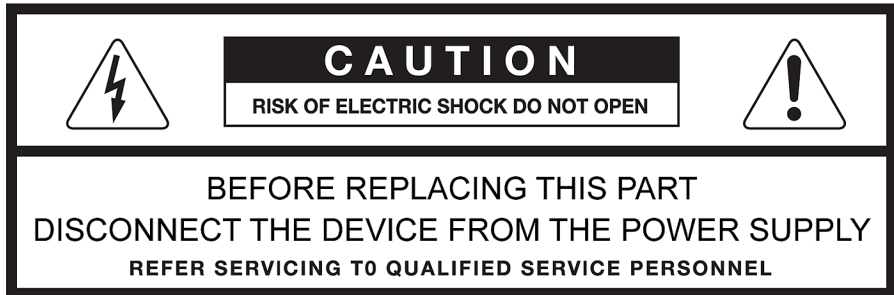
Thank You for purchasing the Vestax Original Service Parts. Replacement parts only qualified expert. Please read this install manual carefully with SVM Vestax before installation this part for unit.



Change to IF

- ① Remove the fader knob. (See fig-a)
- ② Remove the 4 screws which fix the input fader panel to the mixer. (See fig-b)
- ③ Remove the 2 screws which fix the input fader. (See fig-c)
- ④ Remove the input fader, remove the multi-cable connector from the fader unit. (See fig-d)
- ⑤ Replace the fader unit making sure to that the connector wires are securely fastened before carefully positioning the fader unit and affixing with screws.

SAFETY WARNING



The lightning flash with arrowhead symbol, within an equilateral triangle, is intended to alert the user to the presence of uninsulated "dangerous voltage" within the product's enclosure that may be of sufficient magnitude to constitute a risk of electric shock to persons.



The exclamation point within an equilateral triangle is intended to alert the user to the presence of important operating and maintenance (servicing) instructions in the literature accompanying the appliance.

TO REDUCE THE RISK OF FIRE OR ELECTRIC SHOCK, DO NOT EXPOSE THIS APPLIANCE TO RAIN OR MOISTURE.

NOTE

This equipment has been tested and found to comply with the limits for a Class B digital device, pursuant to Part 15 of the FCC Rules. These limits are designed to provide reasonable protection against harmful interference in a residential installation. This equipment generates, uses and can radiate radio frequency energy and, if not installed and used in accordance with the instructions, may cause harmful interference to radio communications. However, there is no guarantee that interference will not occur in a particular installation. If this equipment does cause harmful interference to radio or television reception, which can be determined by turning the equipment off and on, the user is encouraged to try to correct the interference by one or more of the following measures.

- Reorient or relocate the receiving antenna.
- Increase the separation between the equipment and receiver.
- Connect the equipment into an outlet on a circuit different from that to which the receiver is connected.
- Consult the dealer or an experienced radio/TV technician for help.

NOTE

Changes or modifications may cause this unit to fail to comply with Part 15 of the FCC Rules and may void the user's authority to operate the equipment.