

Thank you for purchasing the Vestax Original Replacement Parts: Vestax cartridge holder alias Headshell. high-quality headshell body made of lightweight aluminum alloy, long stirrup for convenient handling of the mounted cartridge, four flexible pure silver / audiophile copper hybrid wires fitted with gold plated connection terminals, four gold-plated bayonet touch-contacts.

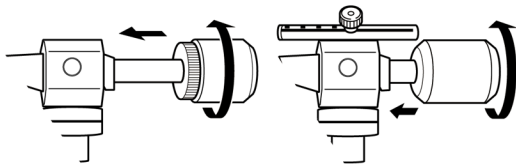
- HS-1 type
- HS-2 type

- PDX-2000 Series
- PDX-3000 Series
- QFO Series / Ctrl ONE

Installing the balance Weight

- From the backend of the tone arm (towards the rear panel) place the balance weight onto the shaft and turn counter clockwise. (Refer to the illustration)

NOTICE: the correct function of Headshell must be perfectly balanced tone arm!



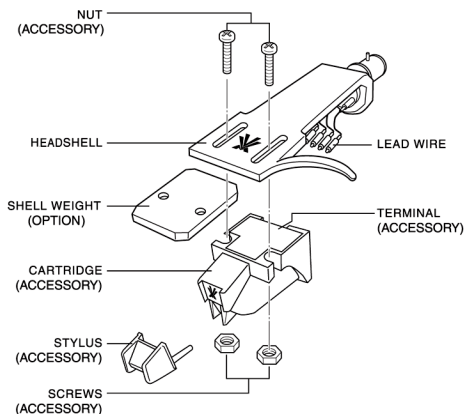
Cartridge Installation

- Make sure that you follow the instructions included with your cartridge.
- Connect the lead wires to the respective terminals. Industry standard cartridges come with color-coded wires. Make sure that you match these colors correctly.

Red (R+) → Right Channel+ Green (R-) → Right Channel -
White (L-) → Left Channel+ Blue (L-) → Left Channel -

NOTE

If using a light weight cartridge, we suggest the use of the shell weight enclosed.



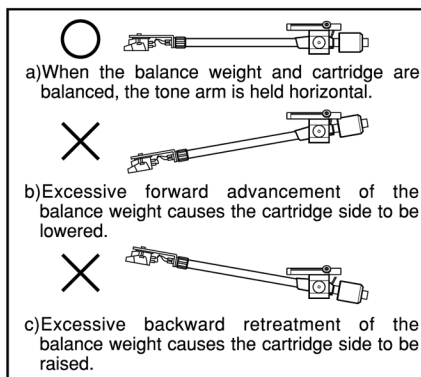
ADJUSTMENT(S)

Adjustment of Horizontal Zero Balance



- Install the cartridge, headshell and balance weight to the tone arm.
- Unlock the arm rest, adjust the tone-arm balance by rotating the balance weight, so that the tone-arm stays in horizontal position in balance.

NOTE

Please be sure that the needle does not touch the platter or the other object in adjustment procedure.



SAFETY WARNING

	CAUTION RISK OF ELECTRIC SHOCK DO NOT OPEN	
BEFORE REPLACING THIS PART DISCONNECT THE DEVICE FROM THE POWER SUPPLY REFER SERVICING TO QUALIFIED SERVICE PERSONNEL		



The lightning flash with arrowhead symbol, within an equilateral triangle, is intended to alert the user to the presence of uninsulated "dangerous voltage" within the product's enclosure that may be of sufficient magnitude to constitute a risk of electric shock to persons.



The exclamation point within an equilateral triangle is intended to alert the user to the presence of important operating and maintenance (servicing) instructions in the literature accompanying the appliance.

TO REDUCE THE RISK OF FIRE OR ELECTRIC SHOCK, DO NOT EXPOSE THIS APPLIANCE TO RAIN OR MOISTURE.

NOTE

This equipment has been tested and found to comply with the limits for a Class B digital device, pursuant to Part 15 of the FCC Rules. These limits are designed to provide reasonable protection against harmful interference in a residential installation. This equipment generates, uses and can radiate radio frequency energy and, if not installed and used in accordance with the instructions, may cause harmful interference to radio communications. However, there is no guarantee that interference will not occur in a particular installation. If this equipment does cause harmful interference to radio or television reception, which can be determined by turning the equipment off and on, the user is encouraged to try to correct the interference by one or more of the following measures.

- Reorient or relocate the receiving antenna.
- Increase the separation between the equipment and receiver.
- Connect the equipment into an outlet on a circuit different from that to which the receiver is connected.
- Consult the dealer or an experienced radio/TV technician for help.

NOTE

Changes or modifications may cause this unit to fail to comply with Part 15 of the FCC Rules and may void the user's authority to operate the equipment.